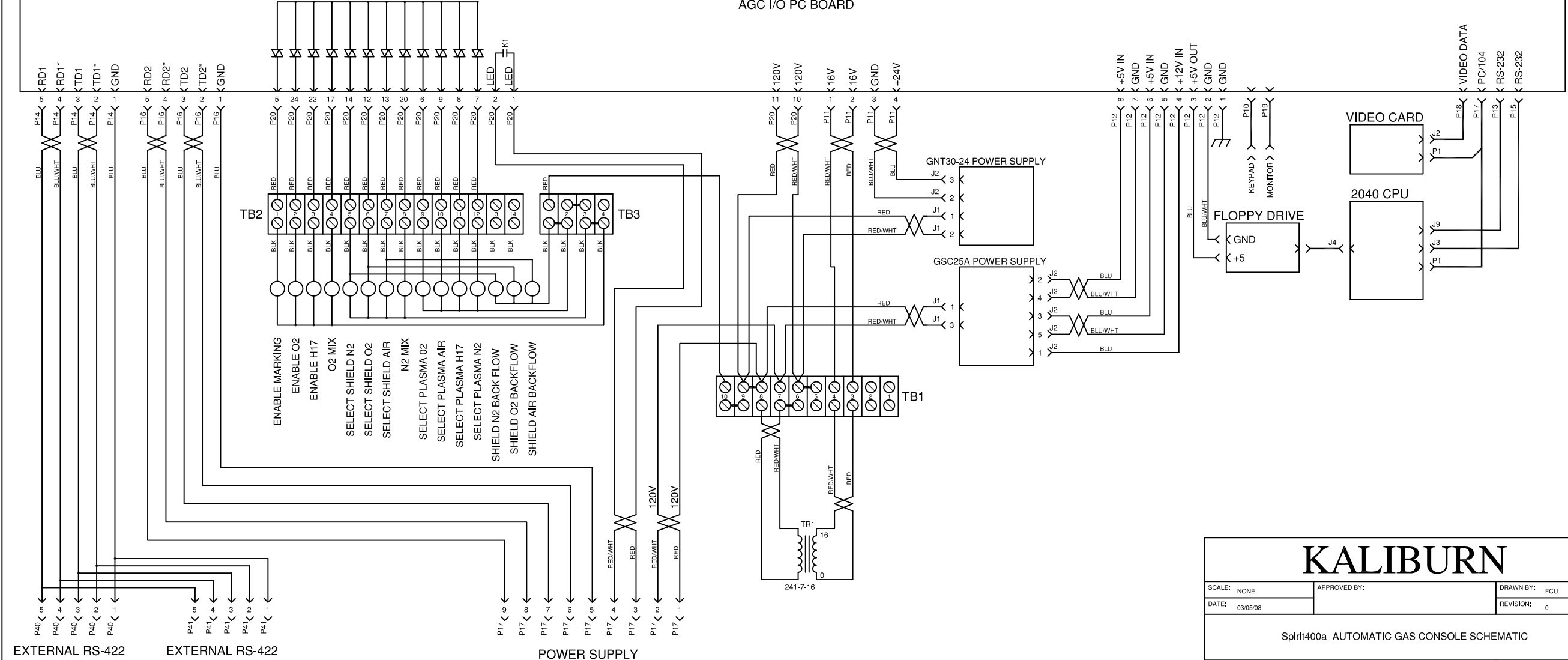


AGC I/O PC BOARD



<b>KALIBURN</b>		
SCALE: NONE	APPROVED BY:	DRAWN BY: FCU
DATE: 03/05/08		REVISION: 0
Spirit400a AUTOMATIC GAS CONSOLE SCHEMATIC		
TOLERANCE: .XX .XXX ANGLE	DRAWING NUMBER: D284001	